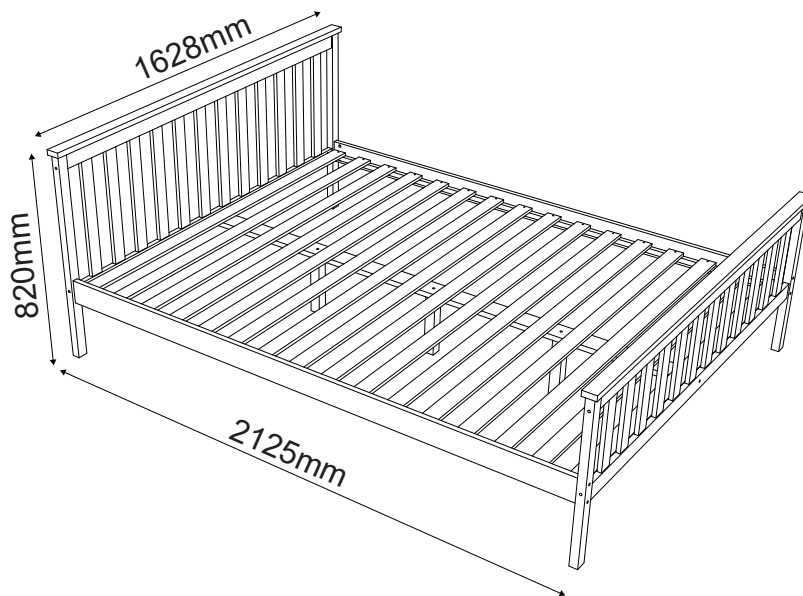


ASSEMBLY INSTRUCTION

MARSH QUEEN BED

Item Code 81693


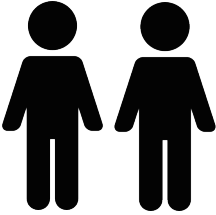



Imported by JWA Furniture Pty Ltd, Qld, Brisbane Australia.
For any assistance with assembly or for missing parts please refer to your receipt








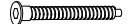
PRE-ASSEMBLY PREPARATION

Before you start:

1. Choose a clean, level, spacious assembly area. Avoid hard surfaces that may damage the product
2. Take care when lifting. Product should be assembled as near as possible to the point of use
3. Ensure that you have all required contents for complete assembly
4. Always read the assembly instructions carefully before beginning assembly.
5. Keep all hardware parts and packaging out of reach of small children.
6. Do not over tighten the screws and bolts as this may damage the threads
7. Assembly is to be carried out by a competent adult(s) ONLY
8. During assembly, children should be kept away from the product due to possible risk to injury.
9. Do not use this item if any components are missing or damaged.
10. Please keep the instructions for future reference.

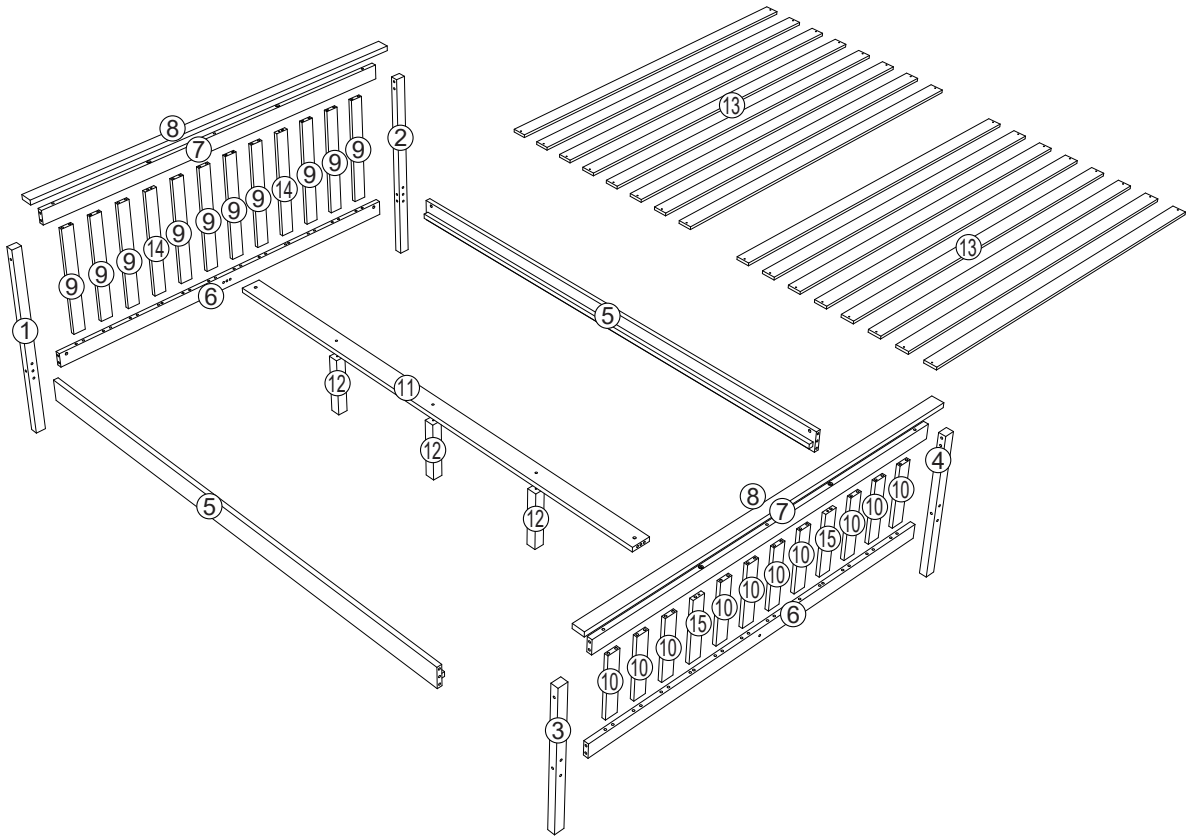
		
Allow 60 min	For 2 person	Additional tools required

PARTS LIST

<p>A JCBC Bolt M6×80mm×8pcs</p> 	<p>B Nut×18pcs</p> 	<p>C Wooden dowel Φ8×30mm×104pcs</p> 	<p>D Screw Φ6×90mm×8pcs</p> 
<p>E JCBC Bolt M6×70mm×16pcs</p> 	<p>F Allen key Φ4×1pcs</p> 	<p>G Screw Φ4×30mm×48pcs</p> 	<p>H Screw Φ7×60mm×3pcs</p> 

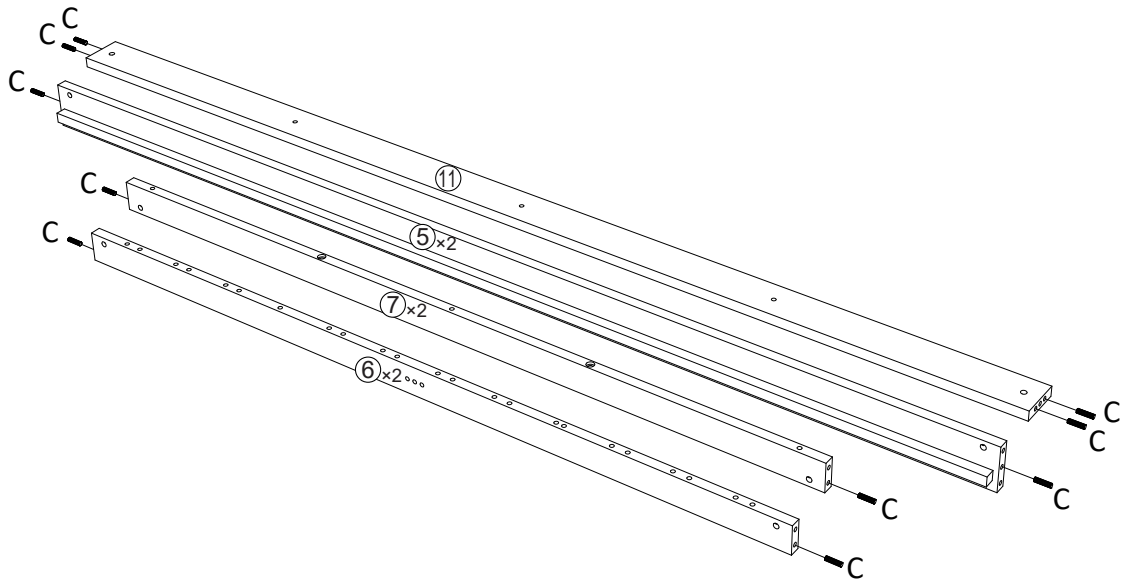
PARTS LIST

1	Headboard Left Post x 1pcs	2	Headboard Right Post x 1pcs
3	Footboard Left Post x 1pcs	4	Footboard Right Post x 1pcs
5	Siderail x 2pcs	6	Bottom Rail x 2pcs
7	Upper Rail x 2pcs	8	Top x 2pcs
9	Headboard Vertical Rail x 10pcs	10	Footboard Vertical Rail x 10pcs
11	Centre Rail x 1pcs	12	Support Leg x 3pcs
13	Slat x 2pcs	14	Headboard Connect Bar x 2pcs
15	Footboard Connect Bar x 2pcs		



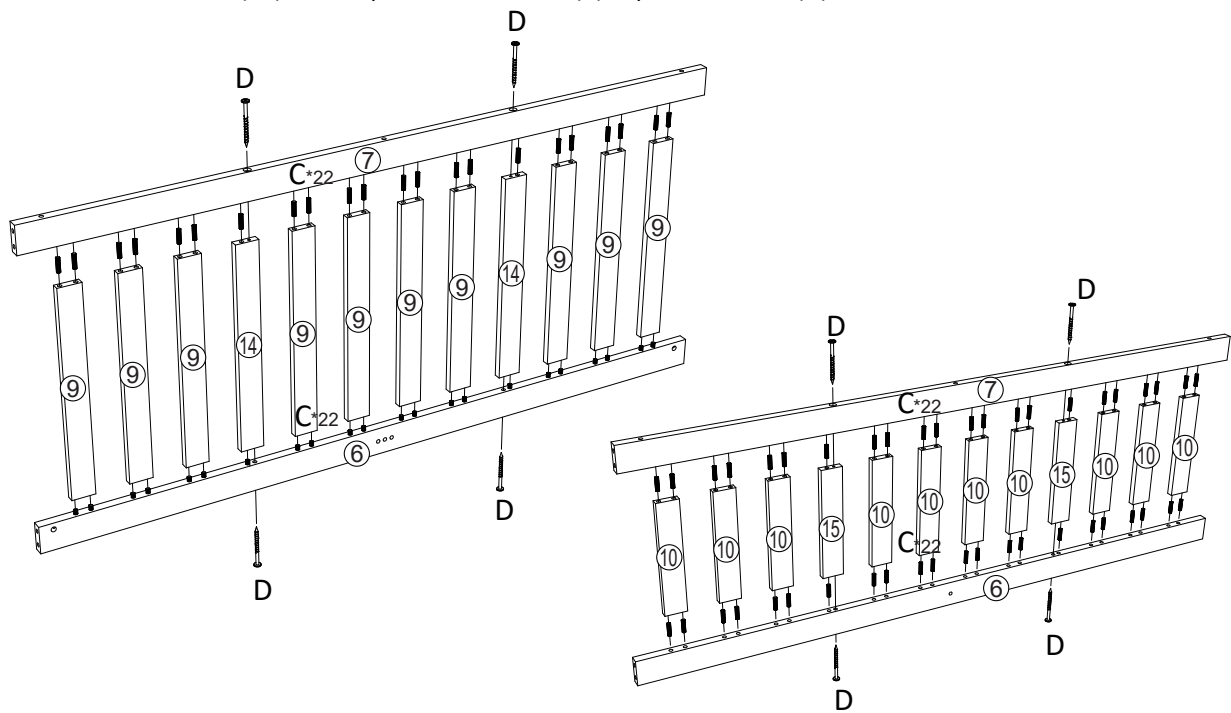
STEP 1:

- Attach 4pcs x wooden dowel(C) to centre rail(11);
- Attach 2pcs x wooden dowel(C) to siderail(5);
- Attach 2pcs x wooden dowel(C) to upper rail(7);
- Attach 2pcs x wooden dowel(C) to bottom rail(6).



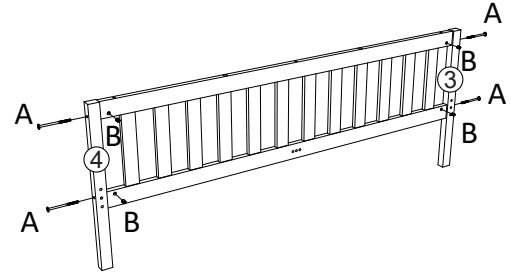
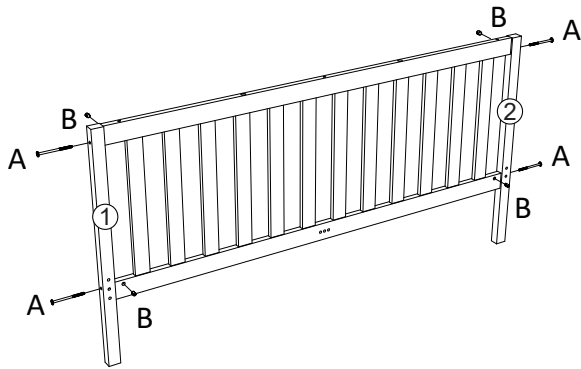
STEP 2:

- Assemble upper rail(7)&bottom rail(6)&10pcs x headboard vertical rail(9)&2pcs x headboard connect bar(14) with 44pcs wooden dowel(C)&4pcs x JCBC bolt(D);
- Assemble upper rail(7)&bottom rail(6)&10pcs x footboard vertical rail(10)&2pcs x footboard connect bar(15) with 44pcs wooden dowel(C)&4pcs x JCBC bolt(D);



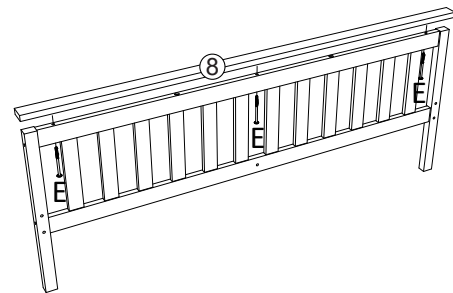
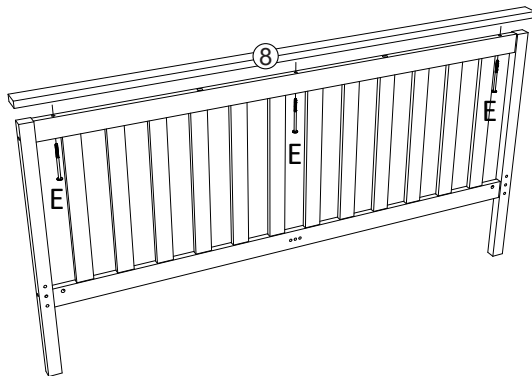
STEP 3:

- Assemble headboard left post(1)&headboard right post(2) with assembled headboard frame with 4pcs JCBC bolt(A)&4pcs nut(B);
- Assemble footboard left post(3)&footboard right post(4) with assembled footboard frame with 4pcs JCBC bolt(A)&4pcs nut(B).



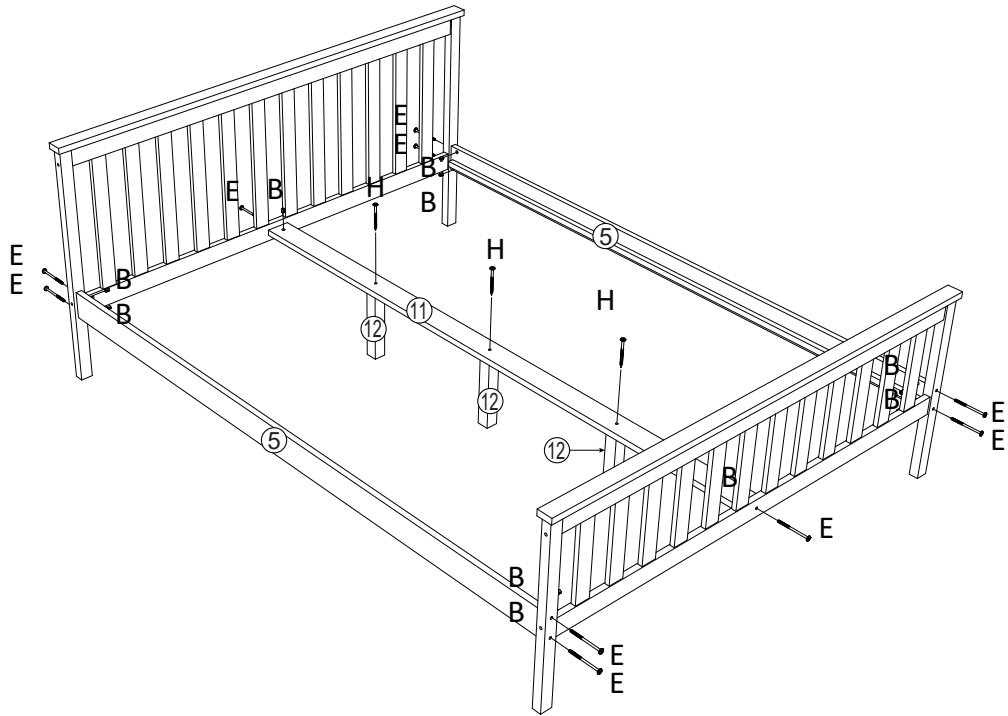
STEP 4:

- Assemble the top(8) on headboard frame with 3pcs x JCBC bolt(E);
- Assemble the top(8) on footboard frame with 3pcs x JCBC bolt(E).



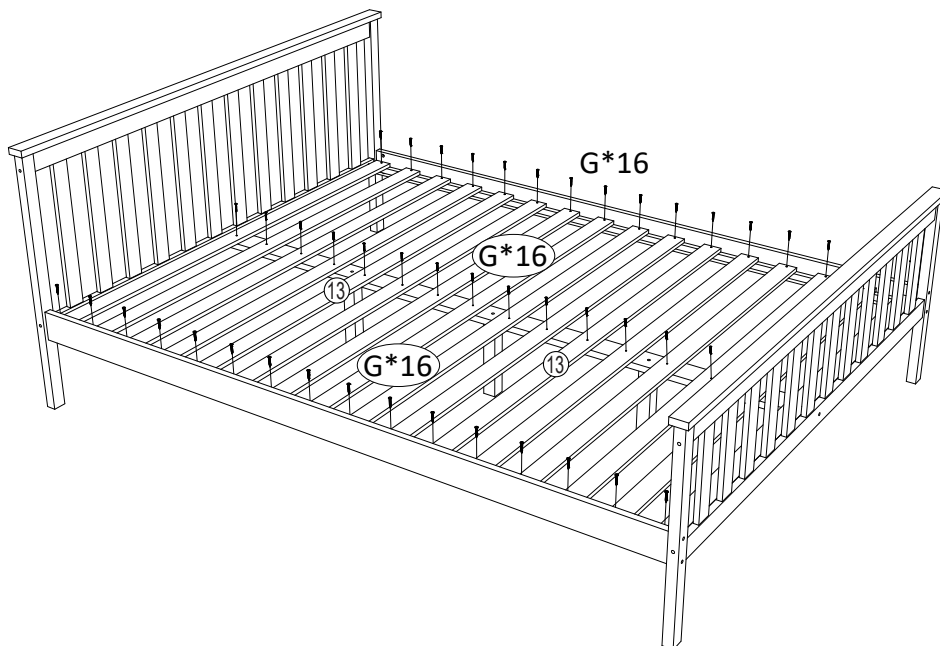
STEP 5:

- Assemble the siderails(5)¢re rail(11)&headboard&footboard with 10pcs x JCBC bolt(E)&10pcs x nut(B);
- Secure 3pcs x screw(H) to assemble 3pcs x support leg(12) with centre rail(11);



STEP 6:

- Assemble 2pcs x slats(13) with 48pcs x screw(G).



Assembly Is Complete



PRODUCT CARE:

To protect your furniture, we suggest the following:

- Avoid placing your furniture in direct sunlight.
- Do not place furniture directly under windows.
- Do not place sharp materials (knife, fork, etc.) directly onto your furniture as sharp material may scrape and damage the finish.
- Do not place material with high temperature directly onto the surface of your furniture.
- Clean up spills quickly. Water left over a prolonged period of time may cause damage. Alcohol, perfume, nail polishes, aftershave and some medication may cause severe finish damage if not cleaned immediately.
- Use a clean, soft, dry, lint free absorbent cloth to clean your furniture. Do not use any detergent as they may contain ingredients that may react and damage the finish.

